



MASTER LEDspot LV AR111

MAS LEDspotLV D 20-100W 827 AR111 24D

With its new perfect-fit design, the Master LEDspot LV AR111 now works with most of G53 luminaires as a true retrofit solution. The lamp creates a brilliant visual effect for retail and hospitality applications such as shops, showrooms and galleries. The high quality light brings out the true colors in merchandise and emphasizes its beauty. It also lasts long, with a strong lumen and color maintenance. The beautifully designed lamp offers a well-defined beam with a multitude of beam angles to suit various applications. Not only does it employ the Philips patented solution to ensure it is compatible with a broad selection of standard 12V halogen electronic transformers, it also delivers high beam intensity which equivalent to halogen AR111 spots of 50W, 75W or 100W.

Product data

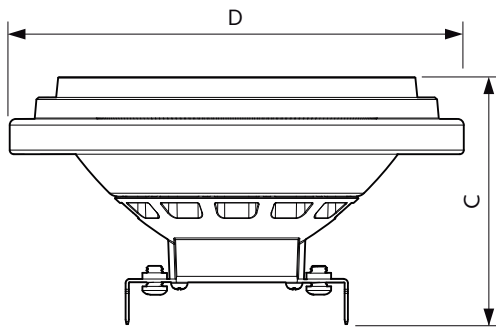
General Information		Correlated Color Temperature (Nom)	
Cap-Base	G53 [G53]		2700 K
Nominal Lifetime (Nom)	25000 h	Luminous Efficacy (rated) (Nom)	59.00 lm/W
Switching Cycle	50000X	Color Consistency	<3
Technical Type	20-100W	Color Rendering Index (Nom)	80
		LLMF At End Of Nominal Lifetime (Nom)	70 %
		Luminous Flux in 90° Cone (Rated)	1180 lm
Light Technical		Operating and Electrical	
Color Code	827 [CCT of 2700K]	Power (Rated) (Nom)	20 W
Beam Angle (Nom)	24 °	Lamp Current (Nom)	2400 mA
Light Distribution	Medium beam 24°	Wattage Equivalent	100 W
Luminous Flux (Nom)	1180 lm	Starting Time (Nom)	0.5 s
Luminous Flux (Rated) (Nom)	1180 lm	Warm Up Time to 60% Light (Nom)	0.5 s
Luminous Intensity (Nom)	5800 cd	Power Factor (Nom)	0.7
Color Designation	Warm White (WW)		
Rated Beam Angle	24 °		

MASTER LEDspot LV AR111

Voltage (Nom)	12 V
Temperature	
T-Case Maximum (Nom)	80 °C
Controls and Dimming	
Dimmable	Yes
Approval and Application	
Energy Efficiency Label (EEL)	A
Suitable For Accent Lighting	Yes
Energy Consumption kWh/1000 h	22 kWh

Product Data	
Full product code	871869651504400
Order product name	MAS LEDspotLV D 20-100W 827 AR111 24D
EAN/UPC - Product	8718696515044
Order code	929001170802
Numerator - Quantity Per Pack	1
Numerator - Packs per outer box	6
Material Nr. (12NC)	929001170802
Net Weight (Piece)	0.160 kg

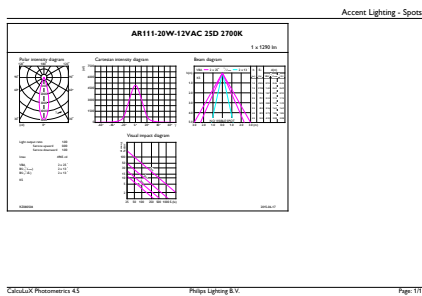
Dimensional drawing



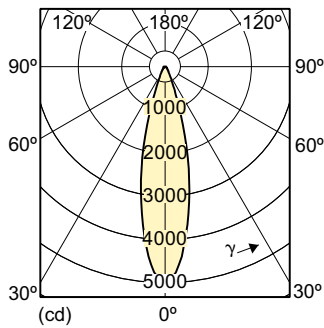
LED D 20-100W 827 AR111 24D

Product	D	C
MAS LEDspotLV D 20-100W 827 AR111 24D	111 mm	62 mm

Photometric data



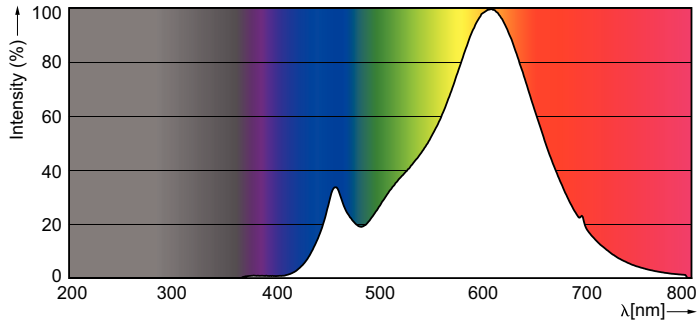
MASTER LEDspot LV AR111 100W G53 827 24D



20-100 W GX53 /827 AR111 24D

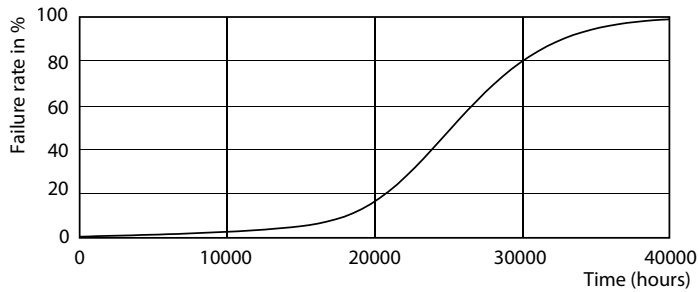
MASTER LEDspot LV AR111

Photometric data

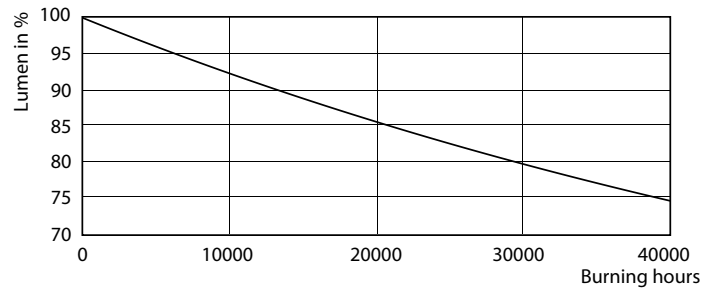


20-100W AR111 /827

Lifetime



MASTER LEDspotLV AR111 100W G53 40D



MASTER LEDspotLV AR111 100W G53 40D

